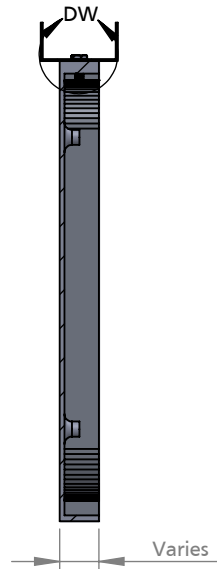
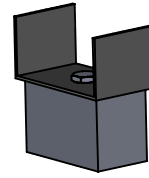


BACK VIEW II SCALE 1:5

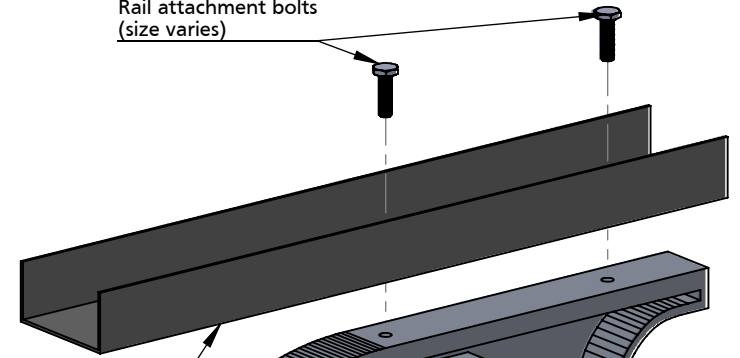


SECTION VIEW A-A II SCALE 1:5

NOTE: Styles with thin strokes or small letters may be cast solid



Rail attachment bolts (size varies)



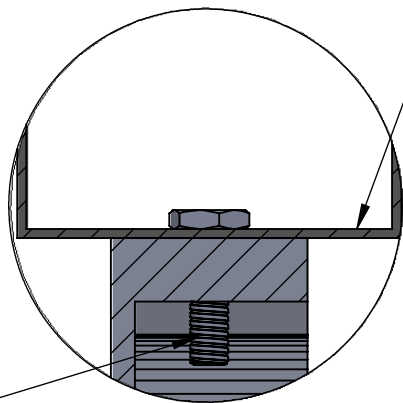
Rail position options  
Flushed to face/back  
Center of rail (see detail DW)

Standard returns  
Bead blasted

Letter finish varies

0 - 70% Return draft

ISOMETRIC BACK VIEW II SCALE 1:3



Threaded aluminum bolt (size varies)

C-shape rail (size varies)  
Painted or anodized  
6063-T2 extruded-aluminum

DETAIL DW II SCALE 1:1

NOTE:  
Letters 4"-24", Minimum 3/8" thick  
Letters are mounted by word. Maximum 96" length

TITLE:

## CAST METAL TOP RAIL MOUNT

MATERIAL:

**ALUMINUM OR BRONZE**

PRODUCT TYPE:

**CAST METAL**

DWG NO. CAST70

REV 11/20/14

SCALE: AS INDICATED

SHEET 1 OF 1