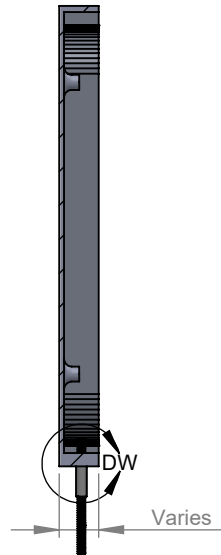
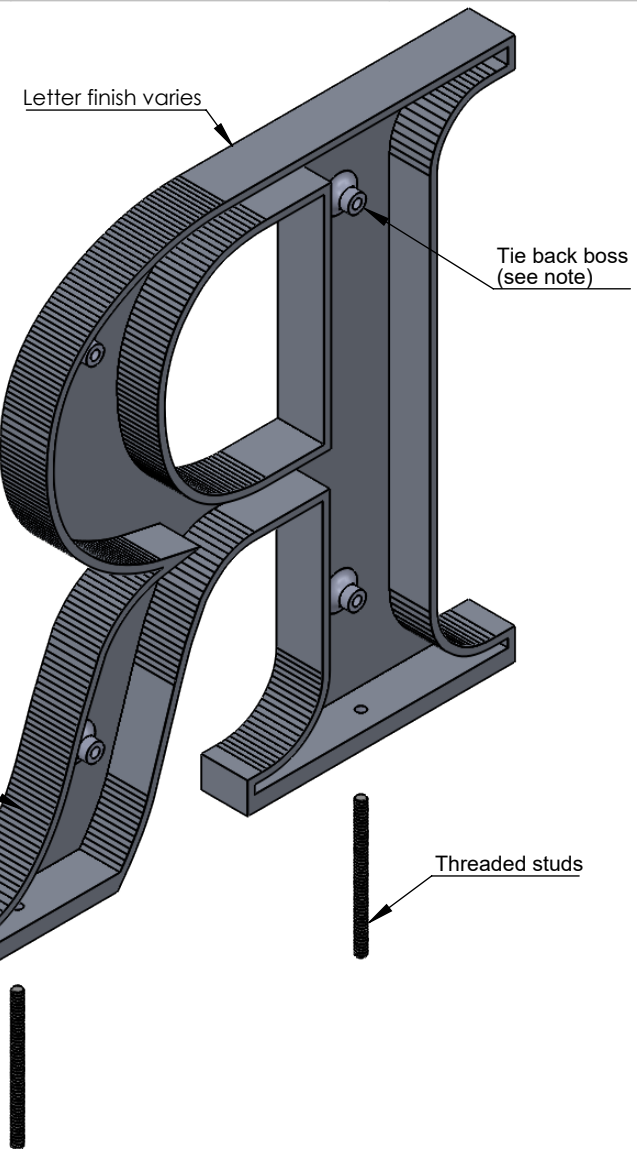
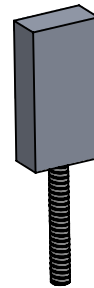


FRONT VIEW II SCALE 1:5

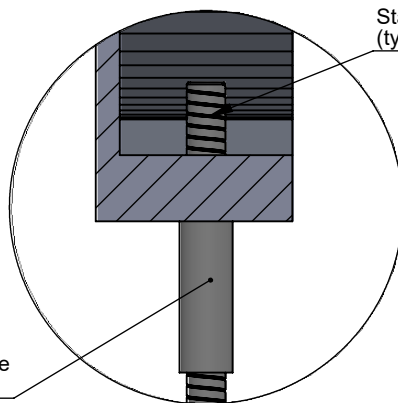


SECTION A-A II SCALE 1:5

NOTE: Styles with thin strokes or small letters may be cast solid



ISOMETRIC BACK VIEW II SCALE 1:3



DETAIL DW II SCALE 1:1

- NOTES:**
- Letters 4"-24", Minimum 3/8" thick
 - Tie back required (not supplied) on letters >8" high
 - Typical stud length 2" beyond bottom of letter
 - Round letters (O, C, G, J, Q, S, U) sanded flat on bottom- optional
 - Minimum of 2 studs per letter
 - 3/8" - 1/2" deep, 4-6" high, 10/24 stainless steel studs
 - Over 1/2" deep, or over 6" high, 1/4-20 stainless steel studs
 - Standard catalog styles or customer per vector art. Flat faced/round/prismatic profile options. Typical 3/16" - 1/4" wall thickness on hollow back letters/logos.
 - Letters or logos, standard or custom

| | |
|-----------------------------------------------|------------------------------------|
| TITLE: CAST METAL BOTTOM STUD MOUNT | |
| MATERIAL: ALUMINUM OR BRONZE | PRODUCT TYPE: CAST METAL |
| DWG NO. CAST20 | REV 10/26/16 |
| SCALE: AS INDICATED | SHEET 1 OF 1 |