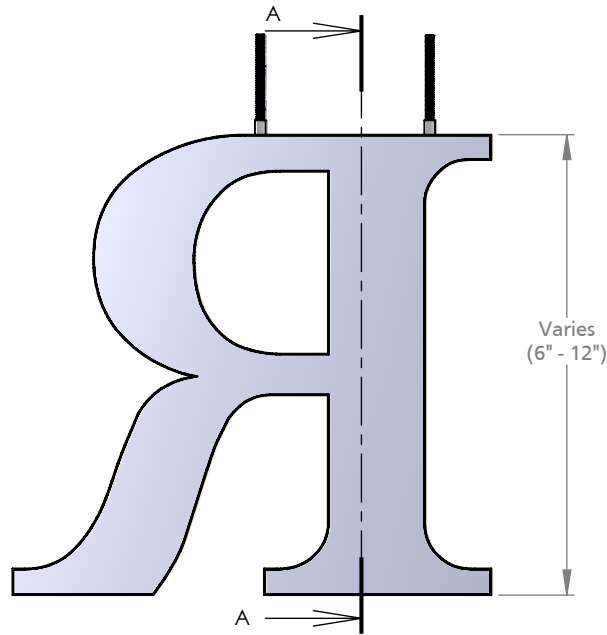
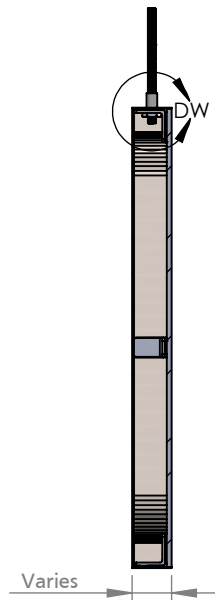


PRODUCT CONSTRUCTION EXAMPLE



BACK VIEW II SCALE 1:5



SECTION VIEW A-A II SCALE 1:5

18 gauge face material - All strokes

lead free continous solder inside face

1/4-20 stud (size varies)

Stainless steel "L" bracket (size varies)

24 gauge return material

Non-Removable back (see detail DW)

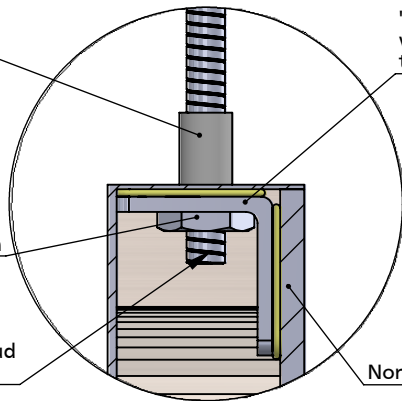
Optional spacer sleeve (size varies)

"L" bracket secured with high resistance epoxy to return and back

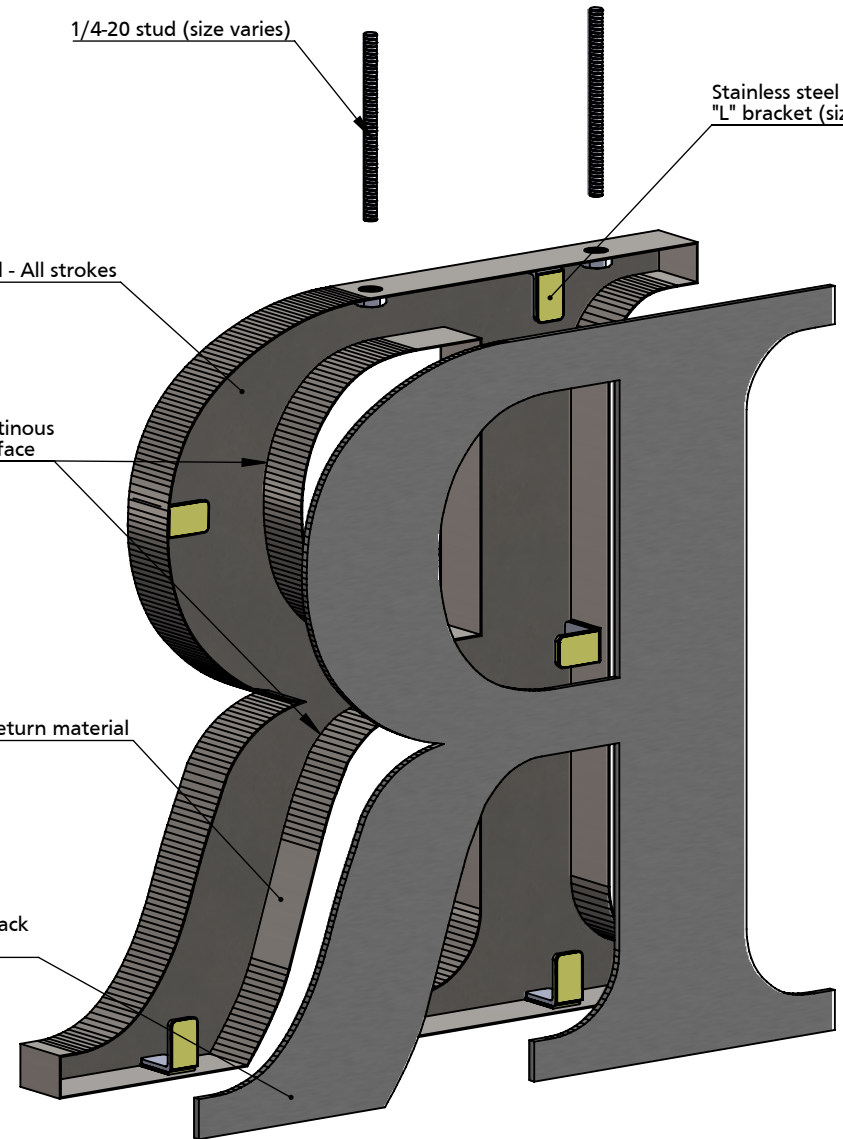
Stainless steel Hex nut (size varies) Soldered to inside of return

Stainless steel mounting stud (size varies)

Non-Removable stainless steel back.



DETAIL DW II SCALE 1:1



ISOMETRIC BACK VIEW II SCALE 1:3

BACK OPTIONS

- Stainless steel - same gauge as face

MATERIAL OPTIONS

Standard - 304 prefinished stainless steel

Optional - 316 prefinished stainless steel (more corrosion resistant)
- 304 prefinished stainless with titanium coating



TITLE:

METAL FACE WITH NON-REMOVABLE BACK
TOP STUD MOUNT

MATERIAL:

STAINLESS STEEL

PRODUCT TYPE:

FABRICATED METAL