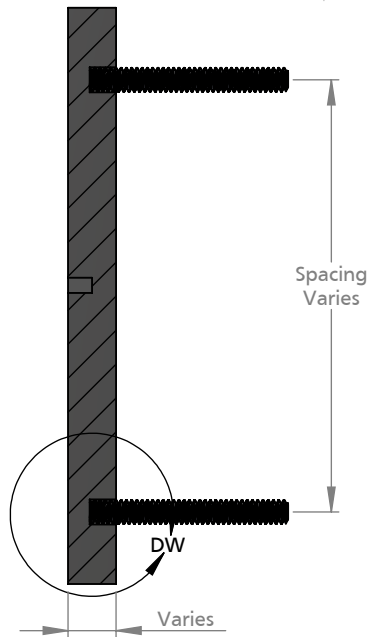
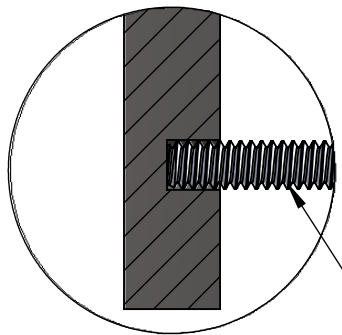


FRONT VIEW II SCALE 1:1

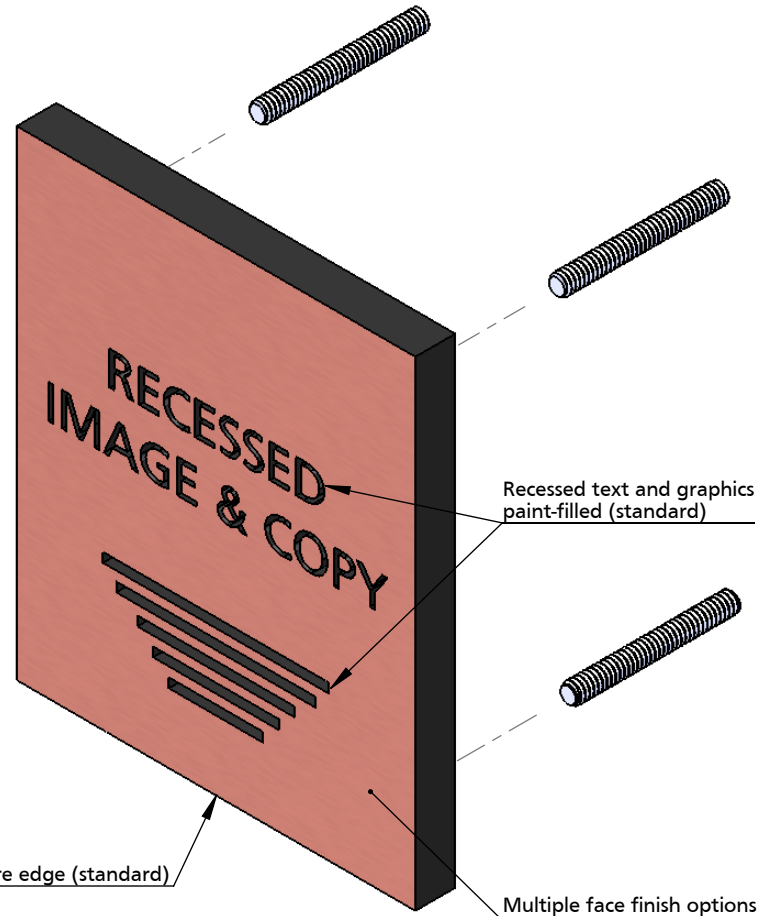


SECTION VIEW A-A II SCALE 1:1



DETAIL DW II SCALE 1:1

Blind stud (standard) -
With 1/4" thick plaques



ISOMETRIC BACK VIEW II SCALE 1:0.85

Notes:
Optional: 41° Bevel edge (not available on 1/16" thick)
1/16", 1/8", 3/16", 1/4", Thick options in stainless steel, bronze, brass, copper
Raised or recessed image & copy available -
Max single piece 36"x72"(copper 40"x60")



TITLE: ETCHED PLAQUE - STUD MOUNT			
MATERIAL: METAL		PRODUCT TYPE: METAL PLAQUES	
DWG NO. ETCH10	REV 02/17/15	SCALE: AS INDICATED	SHEET 1 OF 1