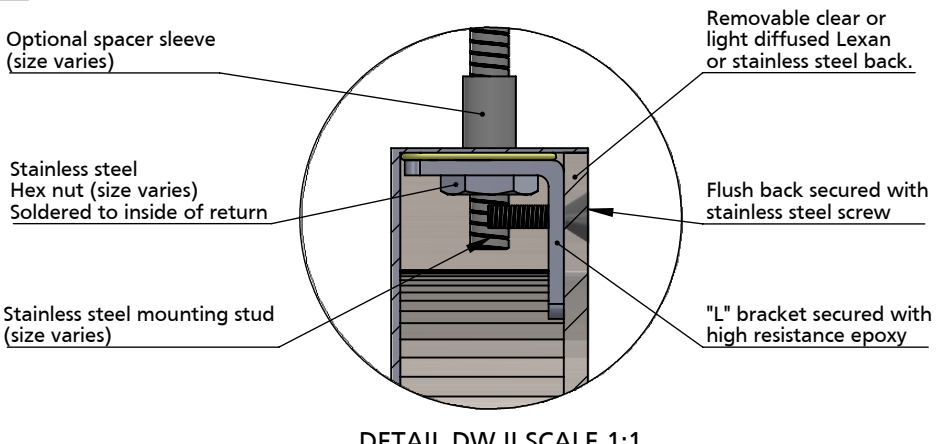
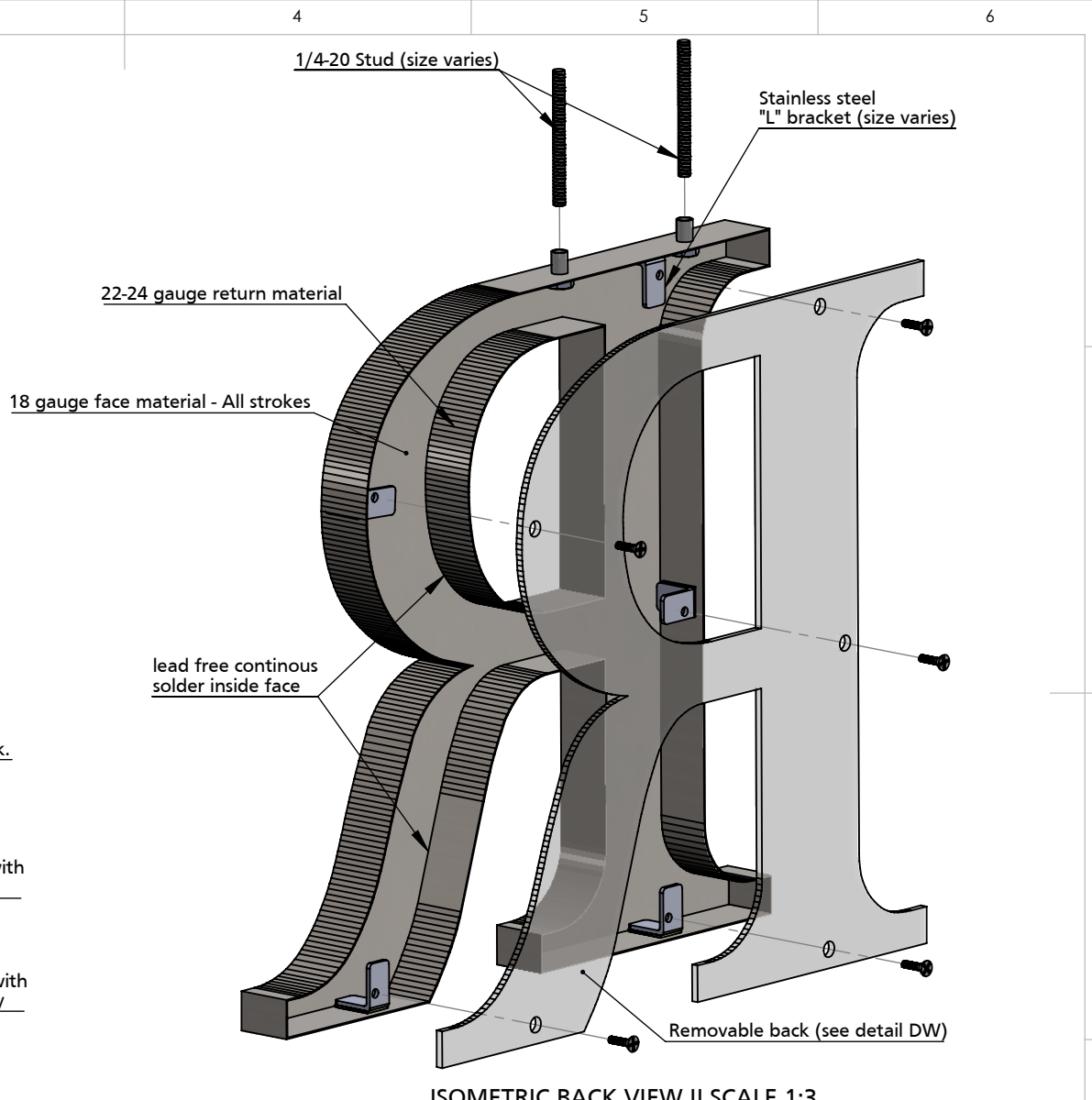
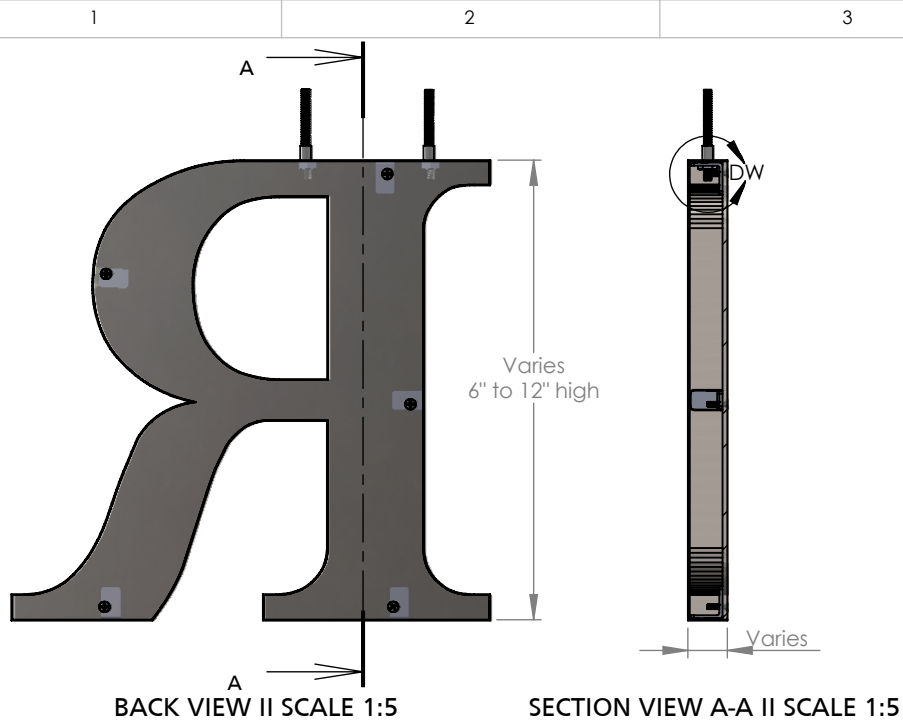


PRODUCT CONSTRUCTION EXAMPLE



**BACK OPTIONS**

- Clear Lexan: 6-12" high - 0.118 thick
- Light diffused Lexan: 0.177" thick
- Stainless steel - same gauge as face

**MATERIAL OPTIONS**

- Standard - 304 prefinished stainless steel
- Optional - 316 prefinished stainless steel (more corrosion resistant)
- 304 prefinished stainless with titanium coating



TITLE: <b>METAL FACE WITH BACK - TOP MOUNT</b>	
MATERIAL: <b>STAINLESS STEEL</b>	PRODUCT TYPE: <b>FABRICATED METAL</b>
DWG NO. FABL70	REV 04/07/15
SCALE: AS INDICATED	SHEET 1 OF 1