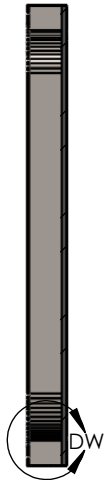
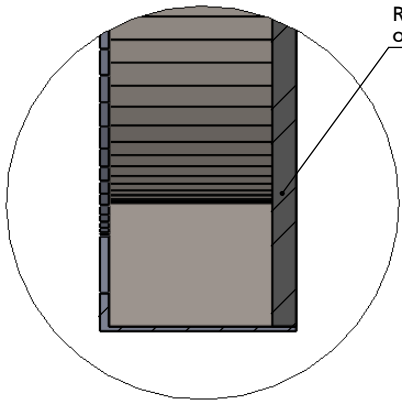




FRONT VIEW II SCALE 1:5



SECTION A-A II SCALE 1:5

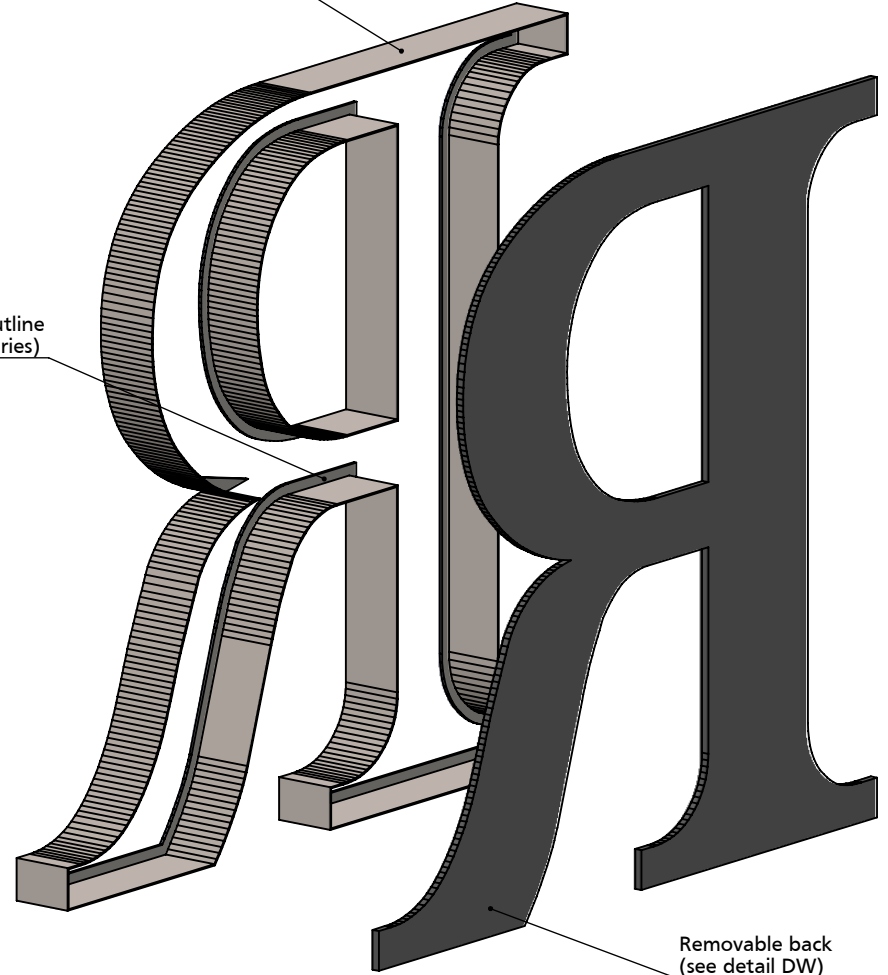


DETAIL DW II SCALE 1:1

Removable clear or light diffused Lexan or stainless steel back.

24 gauge return material - up to 24" high  
22 gauge return material - over 24" high

Face outline  
(size varies)



Removable back  
(see detail DW)

ISOMETRIC BACK VIEW II SCALE 1:3

**BACK OPTIONS**

- Clear Lexan: 6-12" high - 0.118 thick.
- Light diffused Lexan: 0.177" thick
- Stainless steel - same gauge as face (optional: 1/8" thick metal back)

INSERT OPTIONS	
Stainless steel	18-20 gauge up to 24" high
	16-18 gauge over 24" to 36" high
Acrylic	3/16" thick - up to 36" high

**MATERIAL OPTIONS**

- Standard - 304 prefinished stainless steel
- Optional - 316 prefinished stainless steel (more corrosion resistant)
- 304 prefinished stainless with titanium coating



TITLE:

**NO FACE WITH BACK - NO MOUNT**

MATERIAL:

**STAINLESS STEEL**

PRODUCT TYPE:

**FABRICATED METAL**